
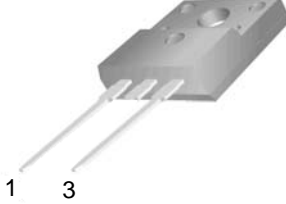



<p style="font-size: 1.2em; font-weight: bold;">MUR1505F-MUR1560F</p> <p><b>Features:</b></p> <ul style="list-style-type: none"> <li><input type="checkbox"/> High surge capacity</li> <li><input type="checkbox"/> Low Forward Voltage Drop.</li> <li><input type="checkbox"/> High Current Capability.</li> <li><input type="checkbox"/> Super Fast Switching Speed For High Efficiency</li> </ul>	<p style="text-align: center; font-weight: bold;">TO-220F -2L</p> <div style="text-align: right;">  </div> <div style="text-align: center;">  <p style="font-size: 0.8em;">1      3</p>  <p style="font-size: 0.8em;">1. Cathode      3. Anode</p> </div>
--	---

**Absolute Maximum Ratings** (Ta=25°C unless otherwise noted)

Parameter	Symbol	MUR 1505F	MUR 1510F	MUR 1515F	MUR 1520F	MUR 1530F	MUR 1540F	MUR 1560F	Unit
Maximum recurrent peak reverse voltage	$V_{RRM}$	50	100	150	200	300	400	600	V
Maximum RMS Voltage	$V_{RMS}$	35	70	105	140	210	280	420	V
Maximum DC Blocking Voltage	$V_{R(DC)}$	50	100	150	200	300	400	600	V
Average Rectified Forward Current Total Device	$I_{F(AV)}$	15							A
Nonrepetitive Peak Surge Current(Surge applied at rated load conditions half wave, single phase, 60 Hz)	$I_{FSM}$	200							A
Operating Junction Temperature and Storage Temperature	TJ, Tstg	-55 to +150							°C
Maximum Thermal Resistance, Junction-to-Case	$R_{\theta JC}$	3.0				2.0			°C/W

**ELECTRICAL CHARACTERISTICS**

Parameter	Symbol	MUR 1505F	MUR 1510F	MUR 1515F	MUR 1520F	MUR 1530F	MUR 1540F	MUR 1560F	Unit
Forward Voltage (Note 1) $(I_F = 15A, T_j = 25^\circ C)$ $(I_F = 15A, T_j = 125^\circ C)$	$V_F$	0.975 0.895				1.30 1.00		1.70 1.20	V
Maximum Instantaneous Reverse Current (Note 1) (Rated DC Voltage, $T_C = 25^\circ C$ ) (Rated DC Voltage, $T_C = 125^\circ C$ )	$I_R$	5 250				10 500			$\mu A$
Maximum Reverse Recovery Time ( $I_F = 0.5 A, I_R = 1.0 A, I_{REC} = 0.25 A$ )	$T_{RR}$	35							ns

Note 1.Pulse Test: Pulse Width = 300  $\mu$ s, Duty Cycle  $\leq 2.0\%$

### Typical Characteristics

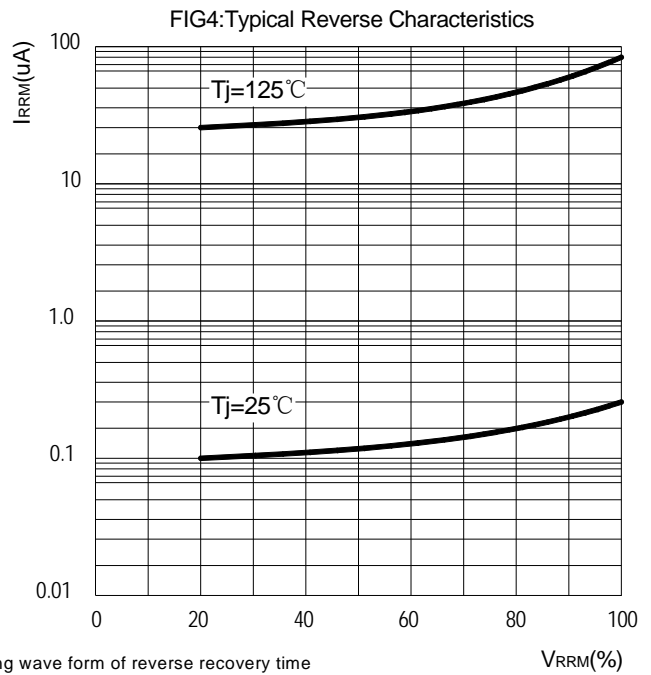
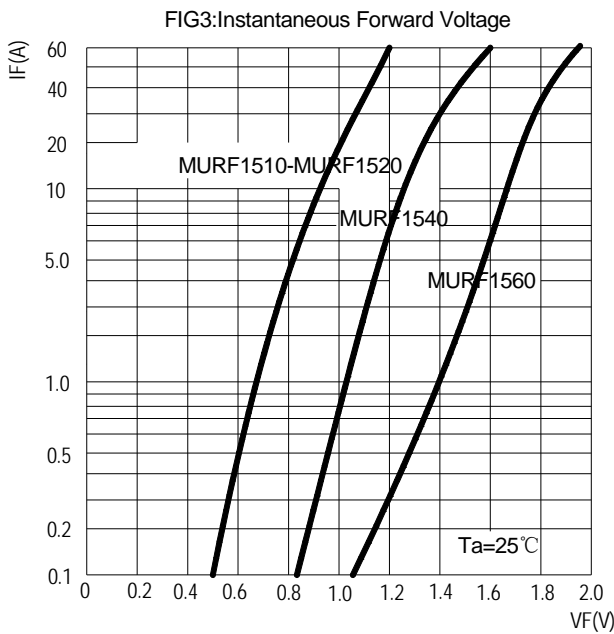
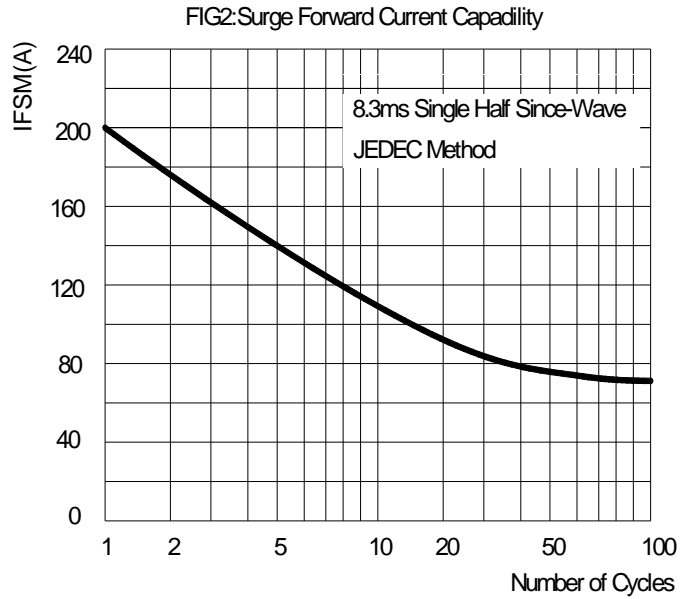
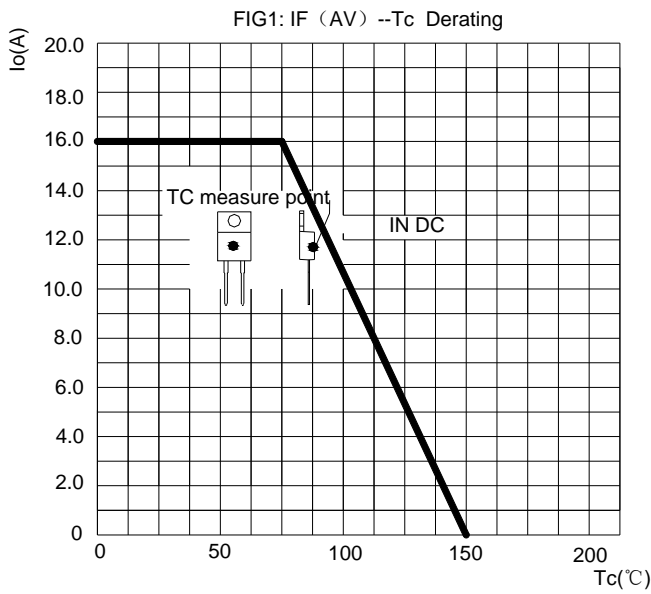
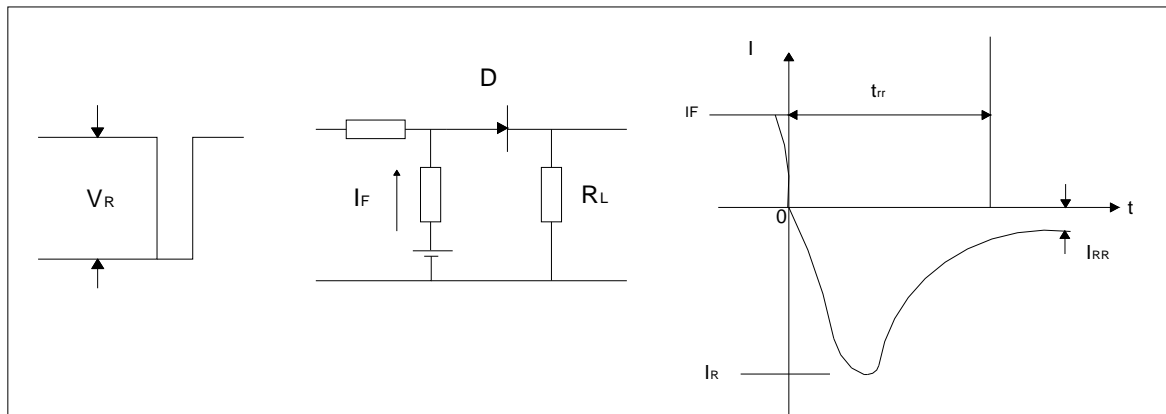
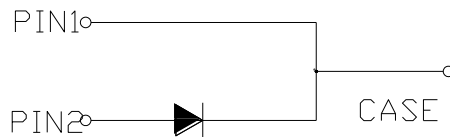
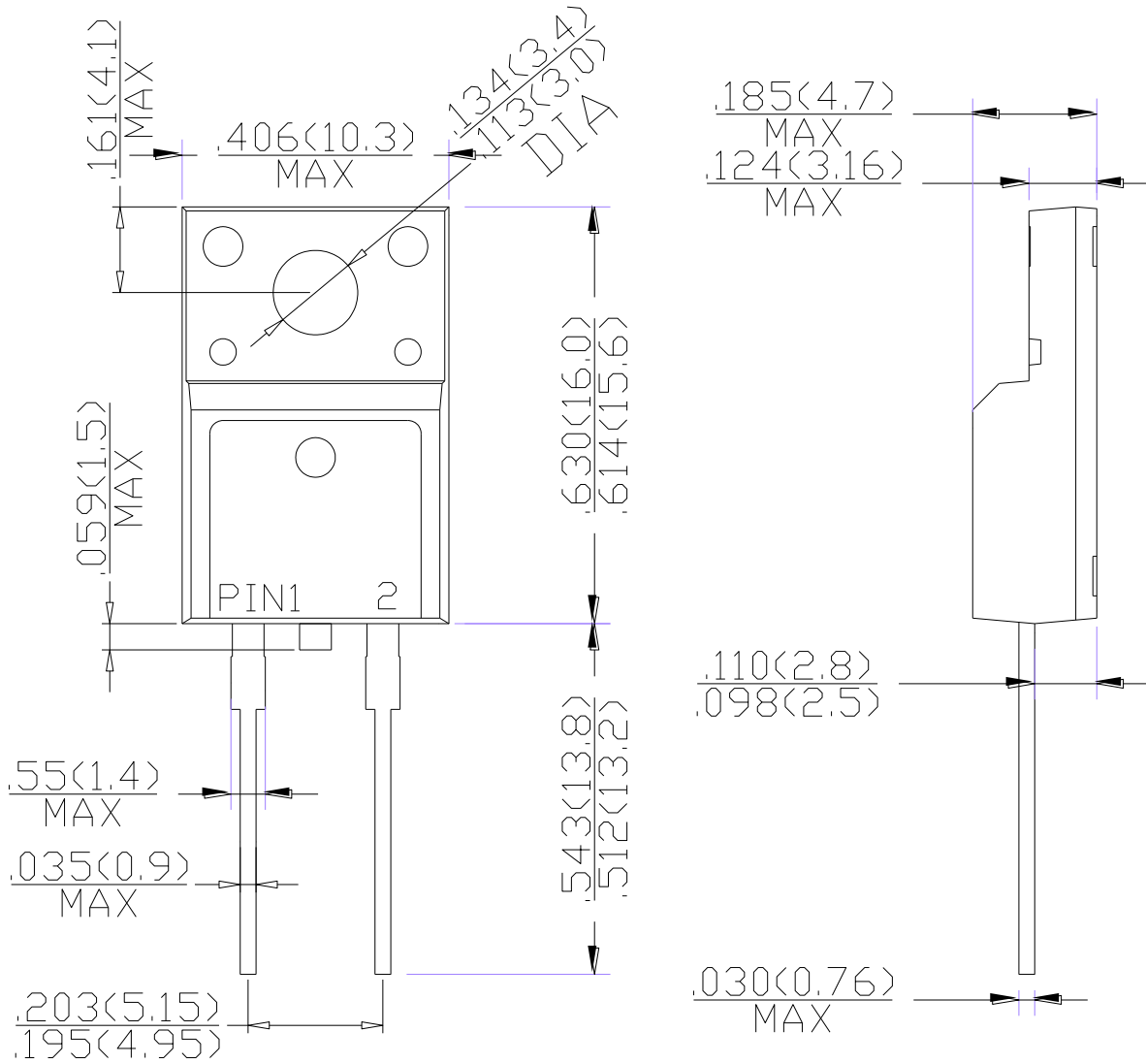


FIG.5: Diagram of circuit and Testing wave form of reverse recovery time



**Package Dimension**

**TO-220F -2L**



Dimensions in inches and (millimeters)