
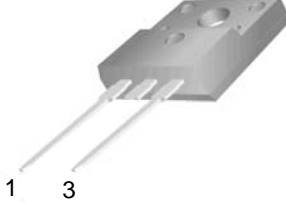



<p style="font-size: 1.2em; font-weight: bold; margin-bottom: 10px;">MUR1605F-MUR1660F</p> <p>Features:</p> <ul style="list-style-type: none"> <input type="checkbox"/> High surge capacity <input type="checkbox"/> Low Forward Voltage Drop. <input type="checkbox"/> High Current Capability. <input type="checkbox"/> Super Fast Switching Speed For High Efficiency 	<p style="text-align: center; font-weight: bold;">TO-220F -2L</p> <div style="text-align: right;">  </div> <div style="text-align: center; margin-top: 20px;">  </div> <div style="text-align: center; margin-top: 10px;">  </div> <p style="text-align: center;">1. Cathode 3. Anode</p>
---	--

Absolute Maximum Ratings (Ta=25°C unless otherwise noted)

Parameter	Symbol	MUR 1605F	MUR 1610F	MUR 1615F	MUR 1620F	MUR 1630F	MUR 1640F	MUR 1660F	Unit
Maximum recurrent peak reverse voltage	V_{RRM}	50	100	150	200	300	400	600	V
Maximum RMS Voltage	V_{RMS}	35	70	105	140	210	280	420	V
Maximum DC Blocking Voltage	$V_{R(DC)}$	50	100	150	200	300	400	600	V
Average Rectified Forward Current Total Device	$I_{F(AV)}$	16							A
Nonrepetitive Peak Surge Current(Surge applied at rated load conditions half wave, single phase, 60 Hz)	I_{FSM}	200							A
Operating Junction Temperature and Storage Temperature	TJ, Tstg	-55 to +150							°C
Maximum Thermal Resistance, Junction-to-Case	$R_{\theta JC}$	3.0				2.0			°C/W

ELECTRICAL CHARACTERISTICS

Parameter	Symbol	MUR 1605F	MUR 1610F	MUR 1615F	MUR 1620F	MUR 1630F	MUR 1640F	MUR 1660F	Unit
Forward Voltage (Note 1) $(I_F = 16A, T_j = 25^\circ C)$ $(I_F = 16A, T_j = 125^\circ C)$	V_F	0.975 0.895				1.30 1.00		1.70 1.20	V
Maximum Instantaneous Reverse Current (Note 1) (Rated DC Voltage, $T_C = 25^\circ C$) (Rated DC Voltage, $T_C = 125^\circ C$)	I_R	5 250				10 500			μA
Maximum Reverse Recovery Time ($I_F = 0.5 A, I_R = 1.0 A, I_{REC} = 0.25 A$)	T_{RR}	35							ns

Note 1.Pulse Test: Pulse Width = 300 μ s, Duty Cycle $\leq 2.0\%$

Typical Characteristics

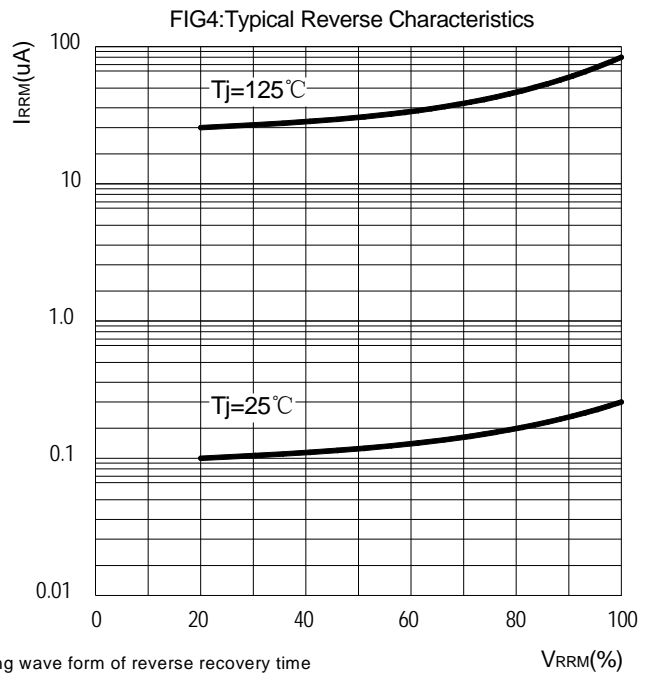
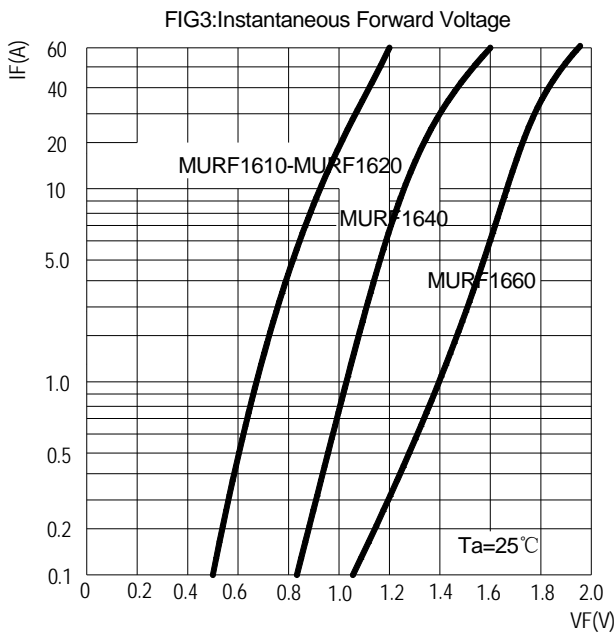
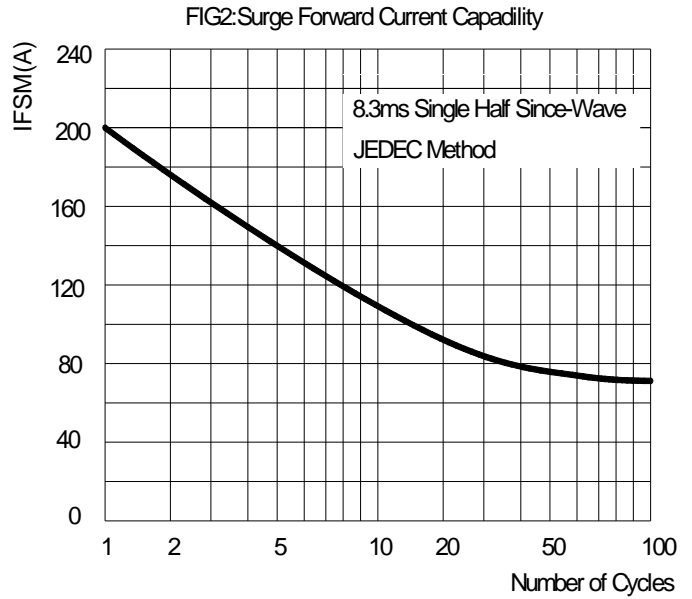
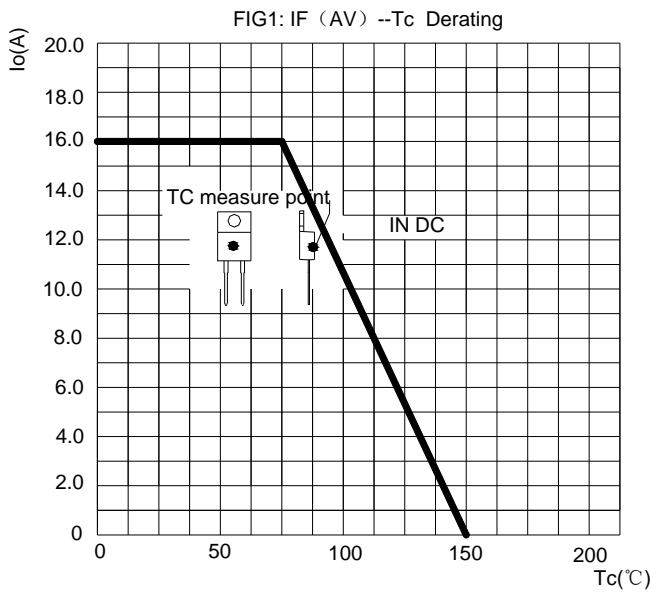
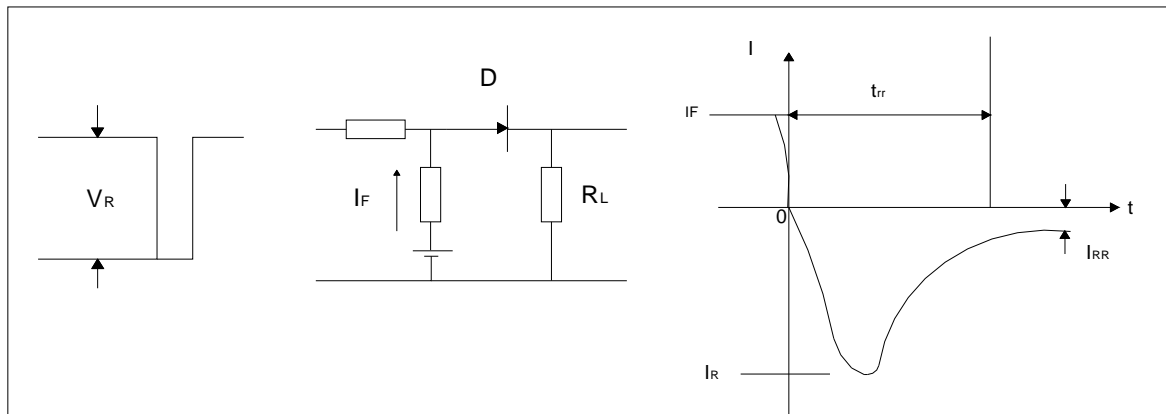
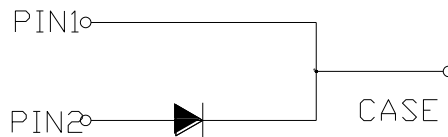
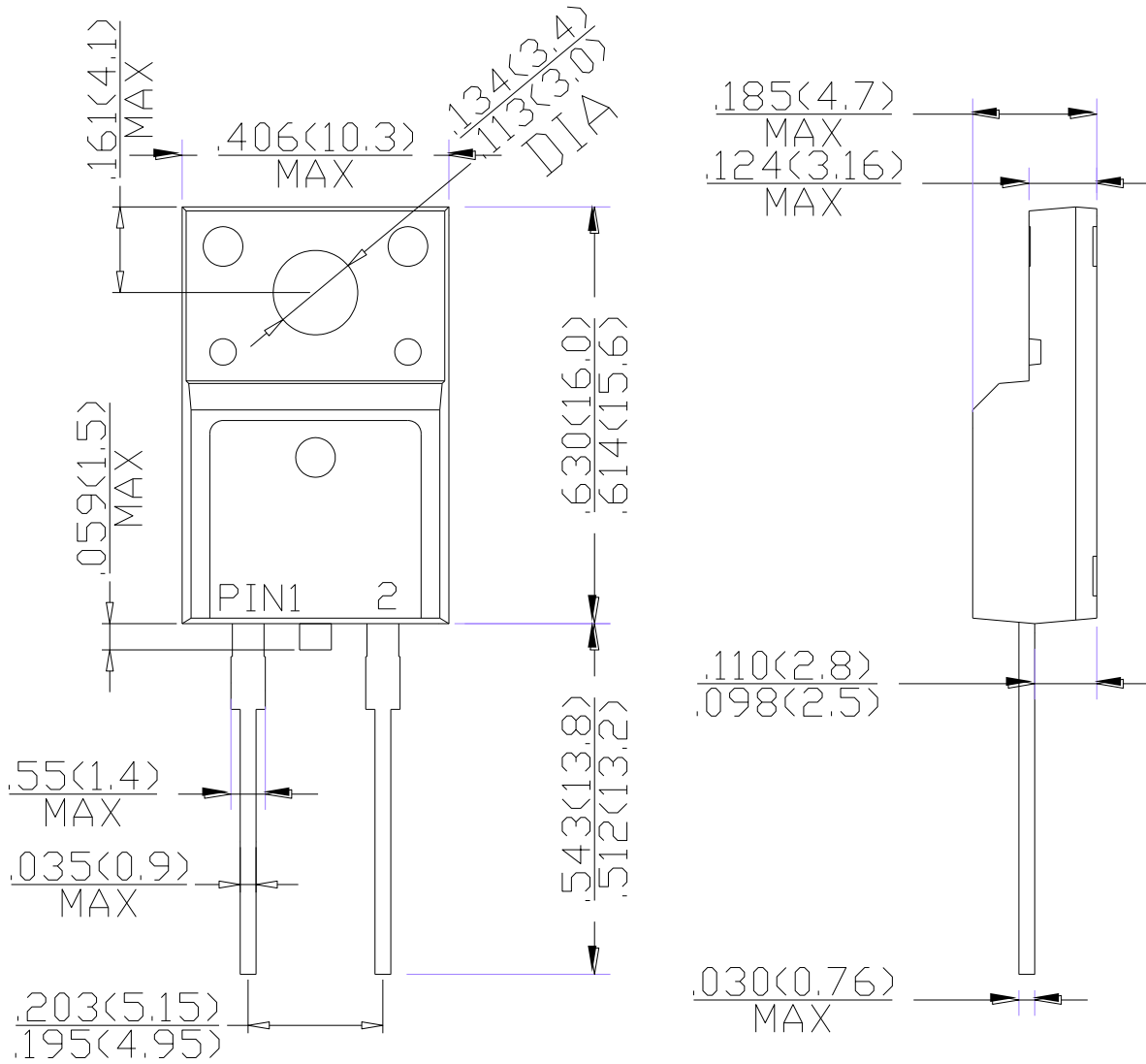


FIG.5: Diagram of circuit and Testing wave form of reverse recovery time



Package Dimension

TO-220F -2L



Dimensions in inches and (millimeters)